

WE STREAMLINE THE PROCESS...

WHAT CAN WE HELP YOU WITH?



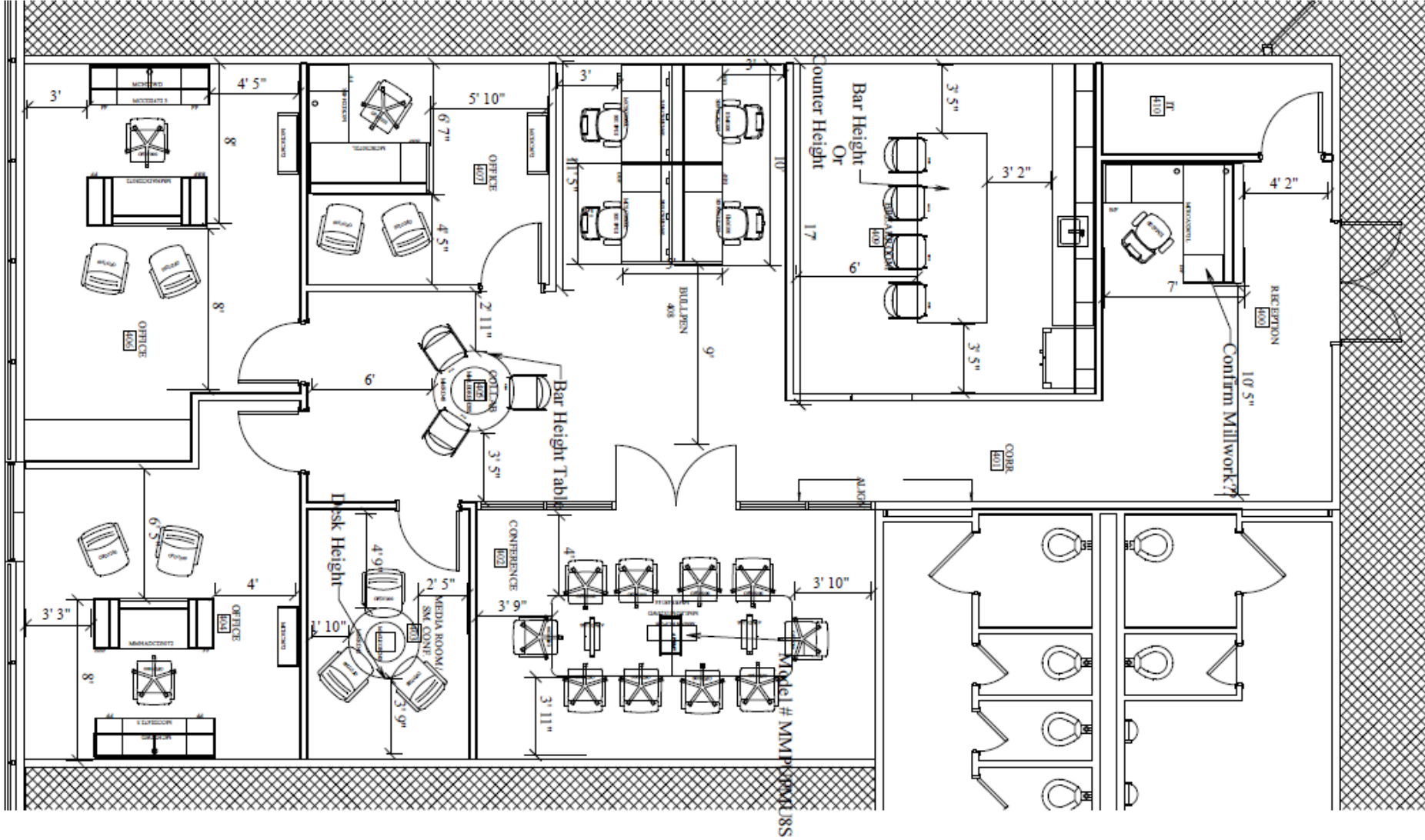
ACE OFFICE FURNITURE

HOUSTON

MAVERICK



Maverick Complete

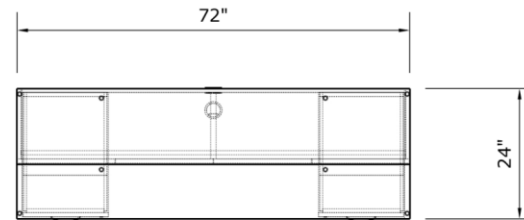
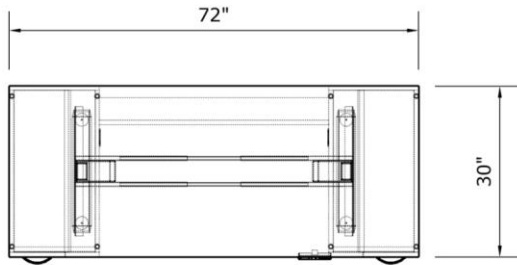
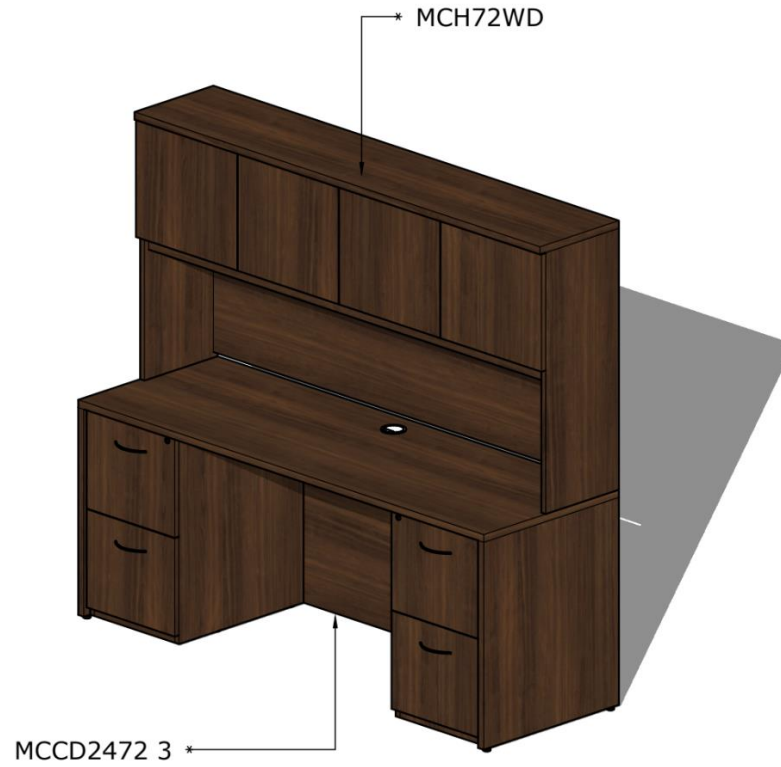


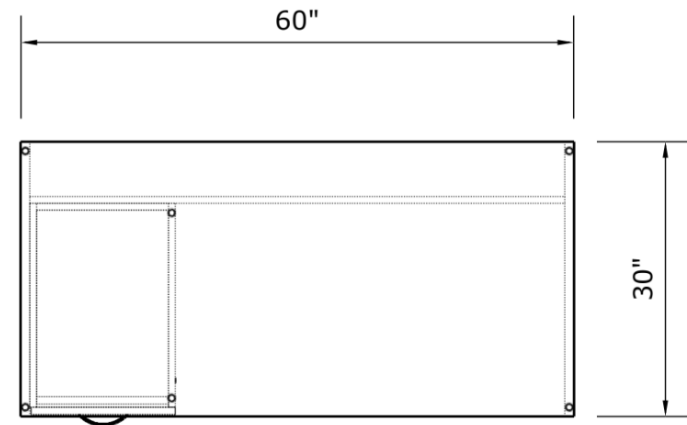
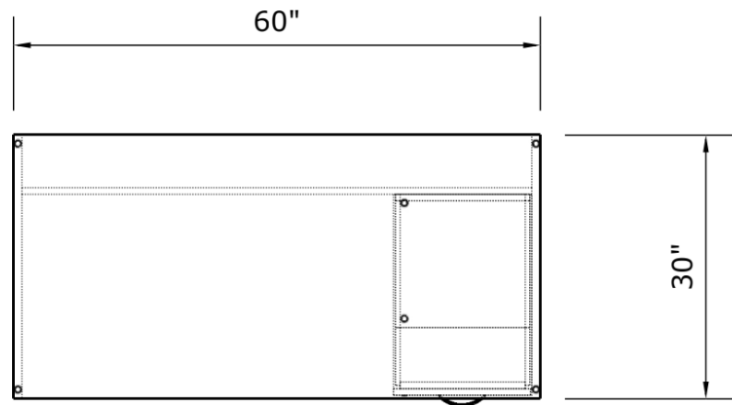
MAVERICK

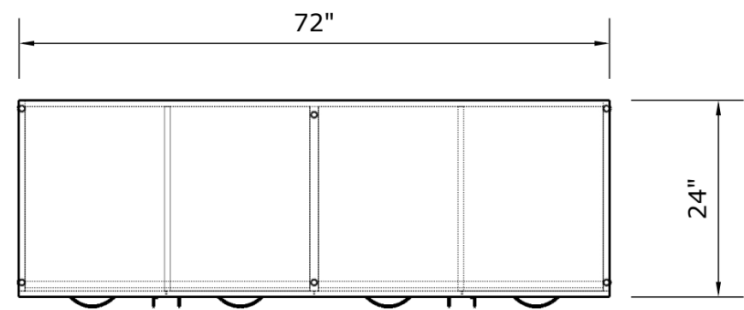
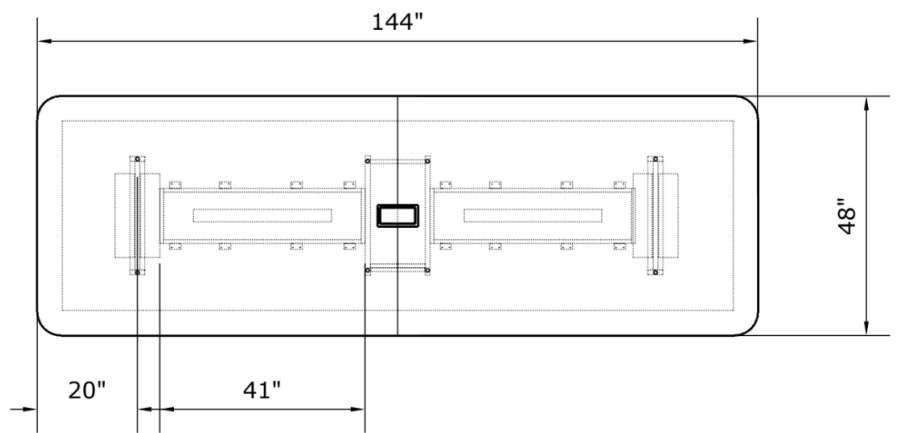
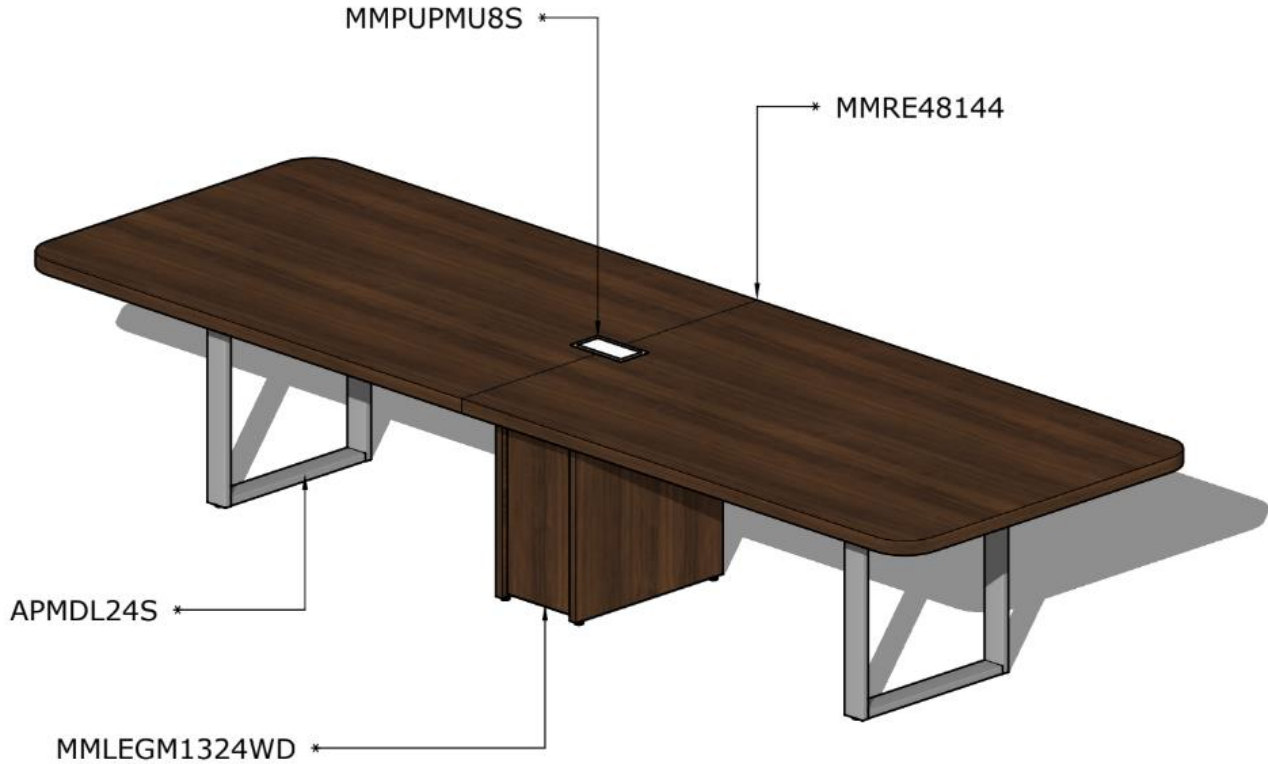
Product Features

- Fully Assembled, some items are excluded
- Metal to Metal Connections
- Over 1,000 QS SKUs available in Quick Ship
- Full Extension Drawers using a 9ply Birch Wood Drawer Interior
- Mix & Match two colors at no additional charge
- We use environmentally recycled materials









ACE OFFICE FURNITURE
HOUSTON

****Please Select Drawer Pull Handle****

Maverick I Series Handle Options



H3B Black



H3S Silver



H5B Black



H5S Silver



H6 Silver



H7 Silver



H8 Silver



H9 Silver



H10 Silver



H11 Silver



H14 Silver



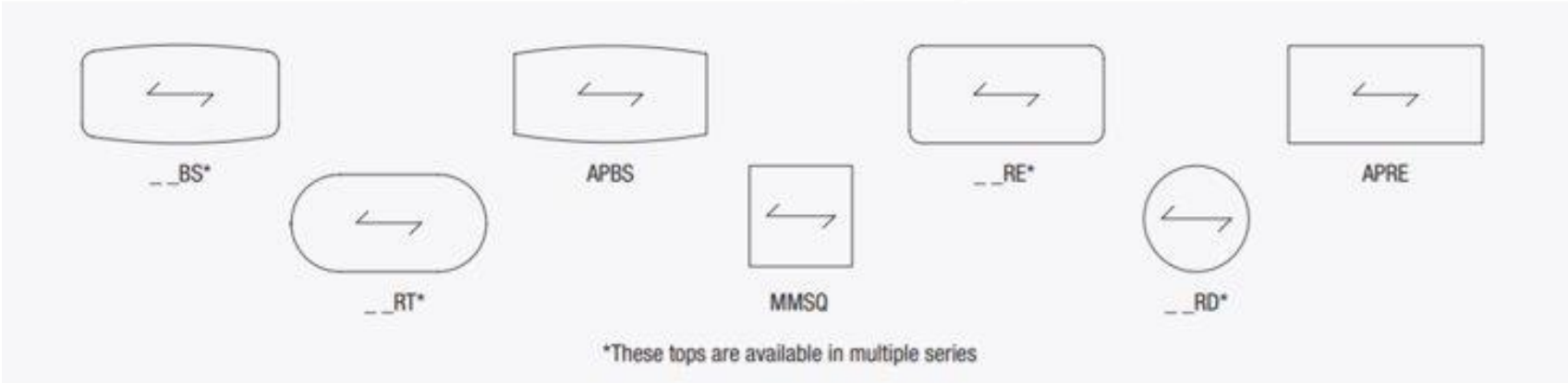
H30 Silver



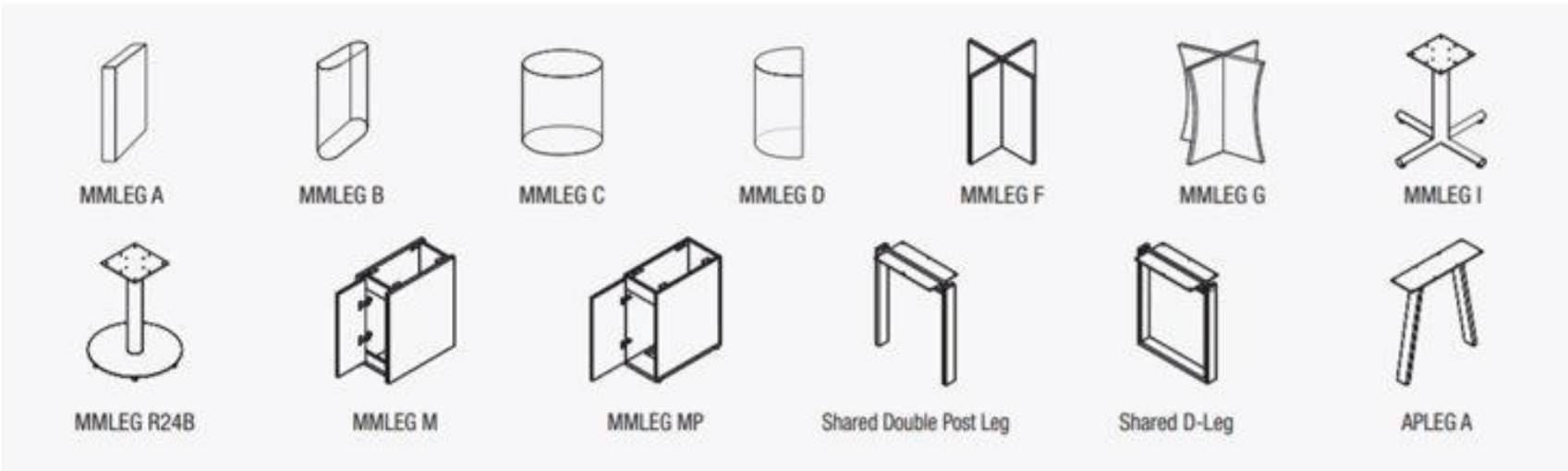
ACE OFFICE FURNITURE

HOUSTON

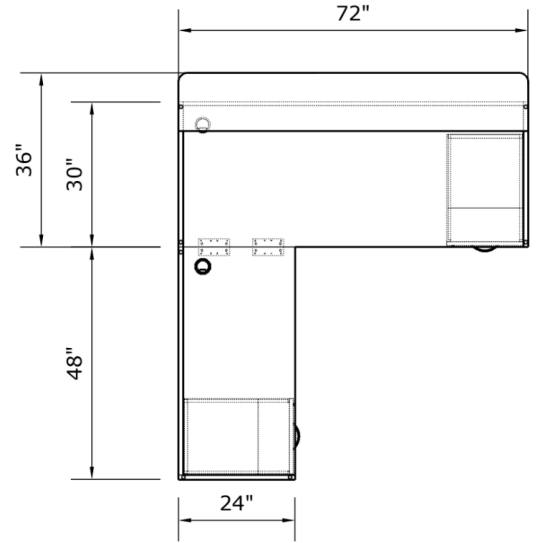
Conference Top Options



Conference Top Base Options



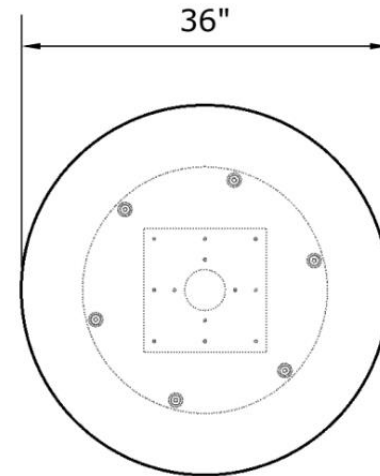
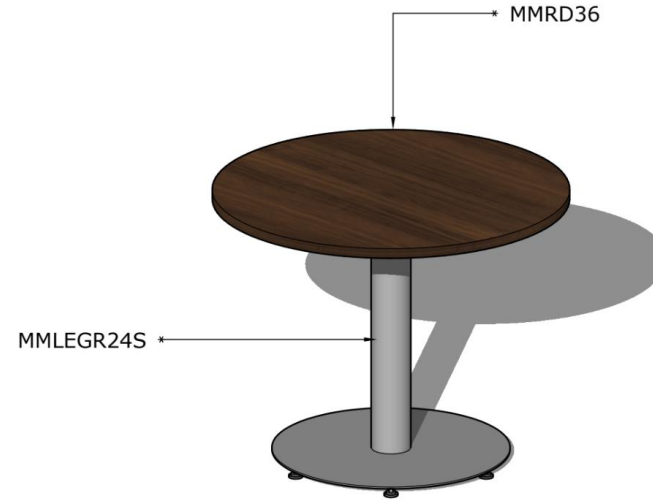
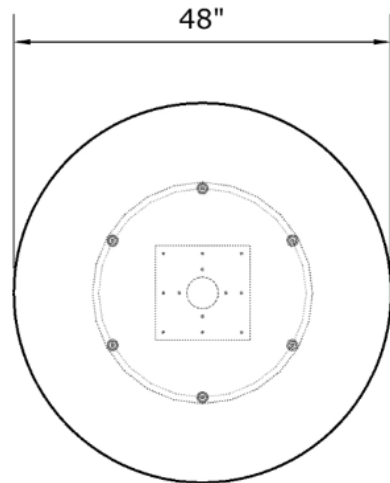
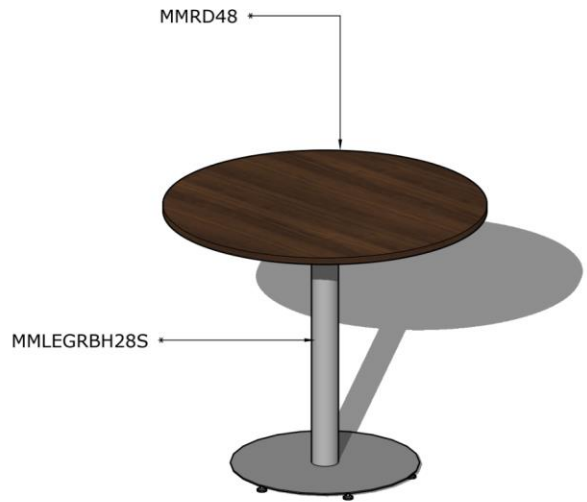
* MCRCA3072L



ACE OFFICE FURNITURE

HOUSTON

Media and Collaborative Round Tables



Executive Seating - Office 1 & 2



OFD6300-

Executive High Back Faux Leather Chair

- Thick padded faux leather seat and back with built-in lumbar support
- Pneumatic seat height adjustment
- Locking tilt control with adjustable tilt tension
- Chrome finish padded loop arm
- Available in Black (-BLK), White (-WH), or Gray (-GRY) faux leather
- Heavy duty chrome finish base with dual wheel carpet casters

-BLK
Black
Faux Leather

-WH
White Faux
Leather

-GRY
Gray
Faux Leather



ACE OFFICE FURNITURE

HOUSTON

Task Seating / Reception & Bullpen



EM6100-BLK

URBAN SERIES
Black Frame

- Black mesh back with black frame
- Black fabric seat
- One-touch pneumatic seat height adjustment
- Self adjusting mechanism
- Tilt tension with 4 locking positions
- Seat slider
- 3-Way adjustable arms
- Black Nylon Base with Dual Wheel Carpet Casters
- Optional Black PU headrest
- Optional fabric seat covers in colors below:



ACE OFFICE FURNITURE

HOUSTON

All Guest Seating



OFD9200G-

**Executive ANTIMICROBIAL VINYL
Guest Chair**

- ANTIMICROBIAL VINYL seat and back with built-in lumbar support
- Standard Padded loop arm or optional Chrome finish arm available
- Available in (-MBLK) Black or (-MGRY) Gray ANTIMICROBIAL VINYL
- Heavy duty chrome finish sled base

(-MBLK) Black
Antimicrobial
Vinyl

(-MGRY) Gray
Antimicrobial
Vinyl

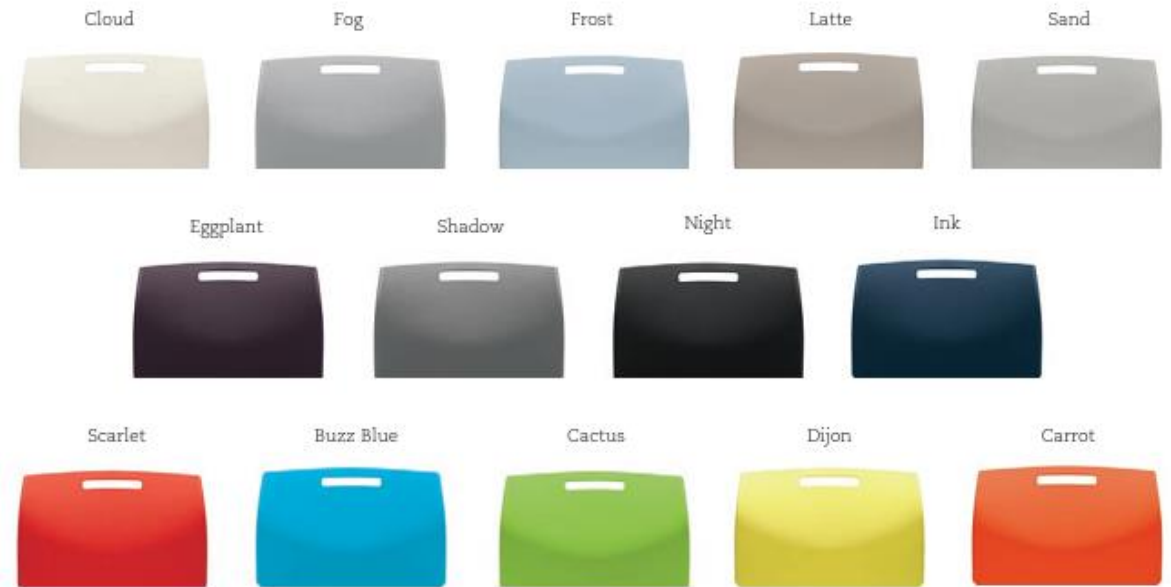


ACE OFFICE FURNITURE

HOUSTON



From rich hues to subtle neutrals, Popcorn™ will transform any space into a great place and keep the crowd comfortable. Gang them together in rows to impress. Stack them on a dolly when it's time to move on. Popcorn is one slick stacker with all the quality you would expect from Global.



ACE OFFICE FURNITURE
HOUSTON

The Maverick Warranty | **Decade Long**



Maverick warrants to the original retail purchaser that Maverick products will be free from defects in material and workmanship under normal single shift usage for Ten (10) years from the original date of purchase. 2-year warranty on wood edge finishes. Maverick will not warranty delamination from sun exposure.

This warranty is not applicable to end-user customers who use Maverick products for rental purposes and is void for any damage due to misuse, abuse, neglect, accident, improper installation, failure to comply with instructions furnished by Maverick or any repair or alteration performed by anyone other than Maverick or an authorized Maverick dealer. Damage caused by common carrier during shipment is not included in this warranty.

THIS WARRANTY IS THE ONLY WARRANTY MADE BY MAVERICK. ALL OTHER WARRANTIES WHETHER EXPRESS OR IMPLIED, INCLUDING IMPLIED WARRANTIES OF MERCHANTABILITY AND FITNESS FOR A PARTICULAR PURPOSE, ARE HEREBY DISCLAIMED.

During this warranty period, if any Maverick product sold subject to this warranty proves to be defective in material and workmanship under normal use, the purchaser must contact an authorized Maverick dealer in writing who will arrange for inspection of such Maverick product by an authorized Maverick representative. The Maverick representative after inspection may cause to have issued a return authorization for such Maverick product. No Maverick product will be accepted for return unless prior authorization is obtained from Maverick. Maverick shall, at its option either (1) repair such product free of charge or (2) replace such Maverick product free of charge. Maverick will pay all shipping charges associated with the authorized return, repair and/or replacement of a defective Maverick product.

THIS IS THE EXCLUSIVE REMEDY FOR ANY BREACH OF WARRANTY. IN NO EVENT SHALL MAVERICK BE LIABLE FOR ANY INCIDENTAL, SPECIAL OR CONSEQUENTIAL DAMAGES OF ANY KIND, WHETHER FOR BREACH OF ANY WARRANTY, FOR BREACH OF REPUDIATION OF ANY OTHER TERM OR CONDITION OF SALE FOR NEGLIGENCE, ON THE BASIS OF STRICT LIABILITY, OR OTHERWISE.

WHAT COSTS DOES THIS WARRANTY NOT COVER?: All claims must be validated by a Maverick representative. If your claim occurs during the first two (2) warranty years, we will incur both the cost of shipping the warranted product or part back to us as well as the cost of our shipment of any repaired or replaced product or part back to you. If your claim occurs after the first two warranty years, shipping of products or parts related to your covered warranty claim will be at your expense in both directions. In either case, you remain responsible for returning your authorized return to Maverick. This warranty does not provide coverage for, or the cost associated, with the transportation, inspection removal or installation of any product or parts except as provided above. The responsibility for the installation of any product or part replaced under this warranty and any related installation costs are yours regardless of whether there is any cost to you for the repaired or replaced product or part.



DeMontrond
CONROE + HOUSTON + TEXAS CITY

 **Centurion Pipeline L.P.**



enQuest



HPO Global  | HPO Global Resources Ventures Inc

ALFRED TALKE
Logistic Services

 **DLTRADING**



Davita
bringing quality to life



KIDDIE 
ACADEMY
EDUCATIONAL CHILD CARE



HOME 2
SUITES BY HILTON

SYNERGEN X

 Ervin Cable Construction, LLC

flnb First Liberty National Bank

